

# KT&C Super Night Vision Camera

## KPC-N850

- 1/3" Sony Super HAD CCD II
- High Resolution of 550 TVL
- 100 Units IR LED with Max. 70M
- External Zoom & Focus Adjustable
- Dual Window Structure (DWS), Privacy Mask
- True Day & Night with ICR Mechanism
- AGC, Sense-Up, BLC, HSBLC, D-WDR, AWB
- 3D Digital Noise Reduction
- Secound Video Connector / Cable Concealed Bracket
- Multi-Language OSD Menu, IP65



### 3D Digital Noise Reducation

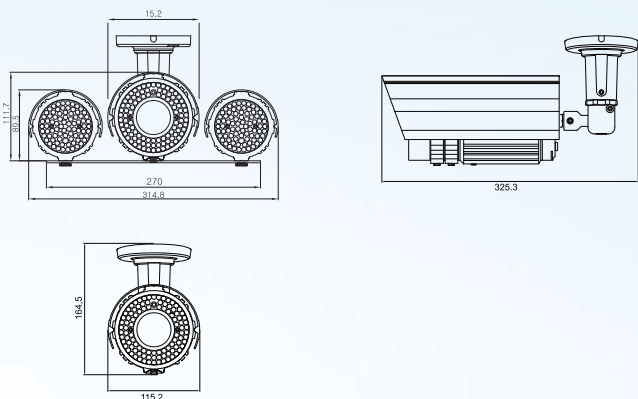


The DNR technology eliminates noise thus generating a distinct and clear image. This camera DNR function utilizes an adaptive 3D Filter reducing noise caused by movement.

### Built-In Joystick Controller



### Dimensions



### Specifications

Model	KPC-N850
Image Device	1/3" SONY Super HAD CCD II
Scanning System	2 : 1 Interlace
Scanning Frequency	NTSC : 15.734 KHz(H), 59.94 Hz(V) / PAL : 15.625 KHz(H), 50 Hz(V)
H. Resolution	550 TVL
Total Pixels	NTSC : 811(H) x 508(V) / PAL : 795(H) x 596(V)
Effective Pixels	NTSC : 768(H) x 494(V) / PAL : 752(H) x 582(V)
S/N Ratio	More than 50 dB (AGC Off)
Min. Illumination	0 Lux (IR LED On)
Sync System	Internal
Gamma	$\gamma = 0.05 \sim 1.0$ Adjustable / USER
Video Output	1.0 Vp-p Composite (75 $\Omega$ )
Lens	Varifocal (f=5.0~50.0 / f1.4~360DC Iris)
Electronic Shutter	NTSC : 1/60 sec / PAL : 1/50 sec
Manual Shutter	1/60(50), FLK, 1/250, 1/500, 1/2K, 1/5K, 1/10K, 1/100K x2, x4, x8, x16, x32, x64, x128, x256
Sense-up	Off / Auto (x2, x4, x8, x16, x32, x64, x128, x256)
BLC	OFF / BLC / HSBLC
AGC	Off / Low / Middle / High
White Balance	ATW / PUSH / PUSH-LOCK / MANUAL / Indoor / Outdoor
Day&Night	True Day & Night With ICR Mechanism
Motion Detection	Zone 4 ea (Mask On / Off)
Privacy Zone	Zone 8 ea (Mask On / Off)
3-DNR	Off / On (0 ~ 100 Level Adjustable)
D-WDR	Off / Indoor / Outdoor
IMAGE	Freeze / Mirror / D-zoom / Sharpness / Color gain / Gamma / NEG.Image
OSD	Available (Built-In)
Language	Standard : English, French, Russian, German, Spanish, Dutch / Option1 : English, Chinese / Option2 : English, Japanese
IR LED	850 nm, 100 ea, Up to 70 m
IR LED Operation	On : 1 Lux, Off : 3 Lux
IP Rating	IP 65 (Weather Condition Endurable)
Operating Temperature	14°F ~ 122°F (-10°C~+50°C)
Storage Temperature	-4°F ~ 140°F (-20°C~+60°C)
Humidity	Less than 60%
Power Consumption	DC12V( $\pm 10\%$ ), Max. 1.5 A (IR LED On, Heater On) DC12V( $\pm 10\%$ ), Max. 2.6 A (IR LED On, IR Illuminator On, Heater On)
Dimensions (mm)	115.2(W) x 111.7(H) x 185.8(D)
Weight	Approx. 1.8 Kg / 3.0 Kg (Include IR Illuminator)
Options	Heater, Illuminator Kit (140 Units IR LED), Dual Voltage

• Specifications are subject to change without notice.