

# NEXT STEPS IN NIGHT VISION CAMERA

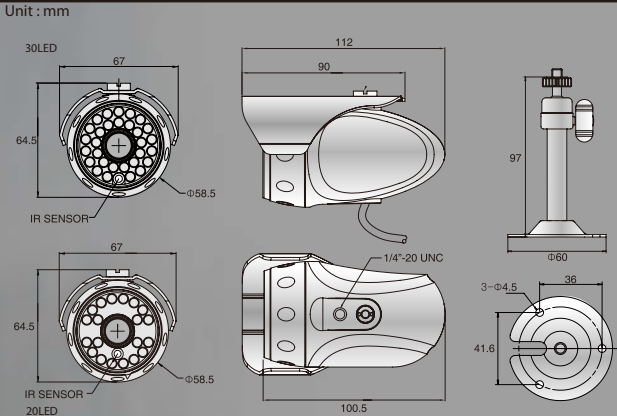
Compact sized IR camera adopted IR corrective lens

## KPC-N300H(N)

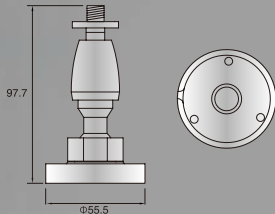
- 1/3" Sony Super HAD CCD (High-res)  
Super clear image in low sensitivity
- High-res 550TV Lines / Std-res 380TV Lines
- IR corrective board lens  
Anti focus-shift
- Optional cable concealed bracket for High-res type
- High graded IR LED  
30units IR LED for High-res type(KPC-N300H)  
20units IR LED for Std-res type(KPC-N300N)
- IR reflection free with specail front glass



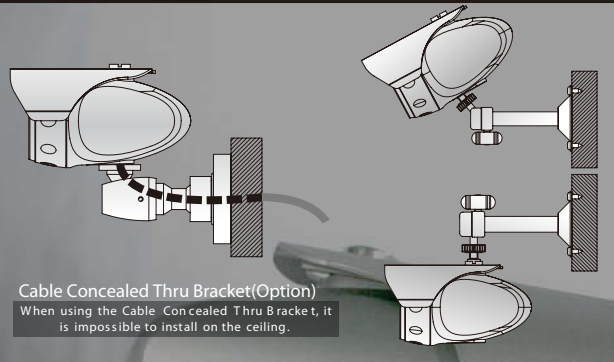
### DIMENSIONS



Cable Concealed Thru Bracket(Optional)



### CAMERA MOUNTING POSITION



### SPECIFICATIONS

Signal Format	NTSC	PAL	NTSC	PAL
Image Device	1/3" Sony Super HAD CCD		1/3" Sony Super HAD CCD II	
Scanning System	2 : 1 Interlace			
H.Resolution	380TV Line		550TV Line	
Scanning Frequency	H:15.734KHz, V:59.94Hz	H:15.625KHz, V:50Hz	H:15.734KHz, V:59.94Hz	H:15.625KHz, V:50Hz
Total Pixels No.	537(H) x 505(V)	537(H) x 597(V)	811(H) x 508(V)	795(H) x 596(V)
Effective Pixier No.	510(H) x 492(V)	500(H) x 582(V)	769(H) x 494(H)	752(H) x 582(V)
Electronic Shutter Speed	1/60 ~ 1/100,000 sec	1/50 ~ 1/100,000 sec	1/60 ~ 1/100,000 sec	1/50 ~ 1/100,000 sec
S/N Ratio	More than 45dB(AGC Off)			
Gamma	r = 0.45			
Sensitivity	0 Lux (IR LED ON)			
IP Rate	IP 67			
Sync System	Internal			
Video Output	1.0 Vp-p Composite 75(Ω) unbalanced			
IR LED	20ea		30ea	
IR LED Angle	45 Degree			
IR LED Wavelength	850nm			
IR Ream Length	Up to 20M		Up to 30M	
Operating Lux	IR LED ON : 1 LUX / Off : 3 LUX			
Input Power Source	DC 12V ±10%, Less than 400mA			
Operating Temperature	-10 °C ~ +50 °C			
Storage Temperature	-20 °C ~ +60 °C			
Operating Humidity	10% ~ 80%			
Board Lens	IR 3.7mm / 4mm / 6mm			